

ECOGUARDS

Stainless Steel Floor Mounted Corner Guards
and Warehouse Racking Protectors

Boston manufactures a complete line of 10-gauge, brush-finished stainless steel and CRS corner guards that can withstand impact up to 4,000 lbs! For your highest-traffic areas, they'll protect your corners from the daily assault of shopping carts, electric floor scrubbers, even pallet jacks.

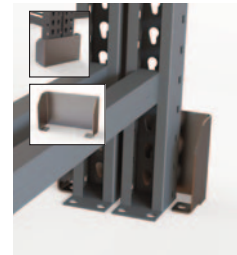
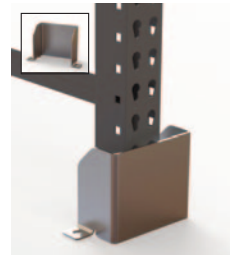
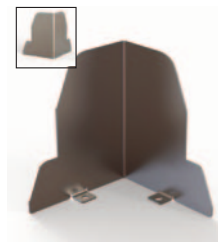


Applying ingenuity around the world.

Boston Group provides total solutions to energize environments, protect assets and support unique shopping or working experience. We listen carefully, look beyond the challenge and come up with smart solutions, exploring new domains every day together with you. From initial concept to full product rollout we expertly guide the process to deliver the right solutions for your needs.



PROTECT



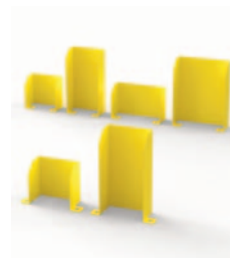
POWER



PROTECT



FIXTURE



Boston Group

ECOGUARDS

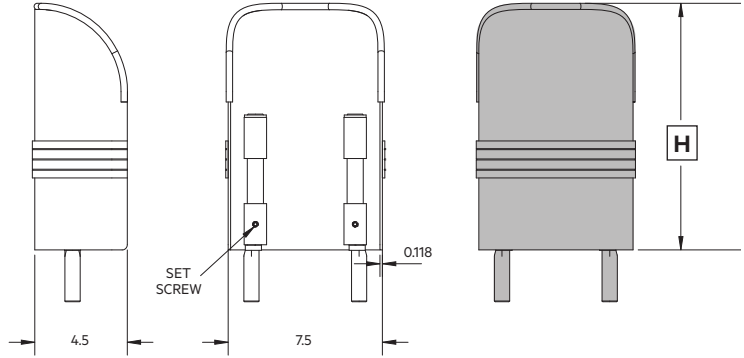
Stainless Steel Floor Mounted Corner Guards and Warehouse Racking Protectors



SSCPU-XX

- #10 GA Stainless Steel
- Structural flanges
- One piece design
- Corrosion resistant

Part #	Height
SSCPU-12	12"
SSCPU-18	18"



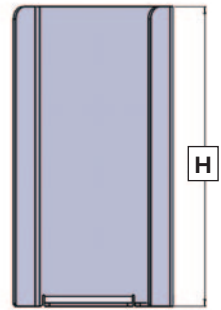
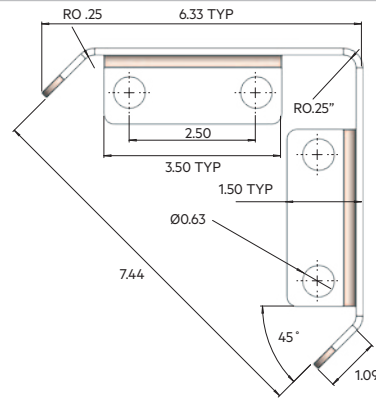
*Comes with Floor Inserts: HSR-KIT



SSCP-1P-XX

- #10 GA Stainless Steel
- Structural flanges
- One piece design
- Corrosion resistant

Part #	Height
SSCP-1P-12	12"
SSCP-1P-18	18"
SSCP-1P-24	24"



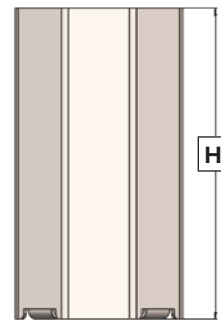
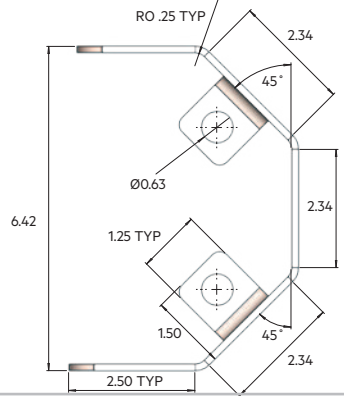
*All corner protectors ship with (4) anchor bolts #602-10-301



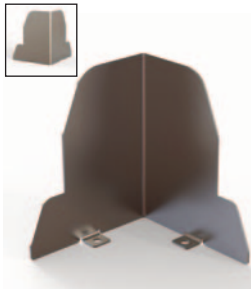
SSCP-1P-5SEG-XX

- #10 GA Stainless Steel
- Structural flanges
- One piece design
- Corrosion resistant

Part #	Height
SSCP-1P-5SEG-12	12"
SSCP-1P-5SEG-18	18"
SSCP-1P-5SEG-24	24"



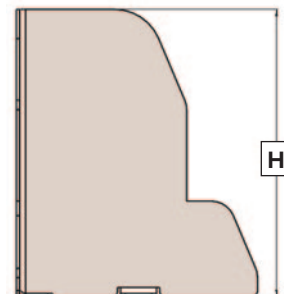
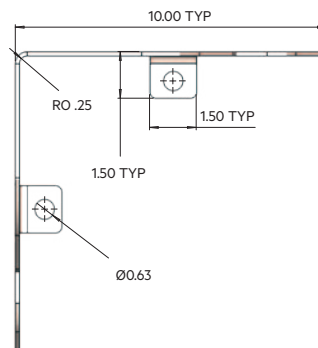
*All corner protectors ship with (2) anchor bolts #602-10-301



SSCP-1P-ANG-XX

- #10 GA Stainless Steel
- Structural flanges
- One piece design
- Corrosion resistant

Part #	Height
SSCP-1P-ANG-12	12"
SSCP-1P-ANG-18	18"



Boston Group

*All racking protectors ship with (2) anchor bolts #602-10-301

Corporate Headquarters 3 Highwood West, Suite 100, Tewksbury, MA 01876 Tel. 781-395-7417 — 800-225-1633 (toll-free) — sales.us@boston-group.com

European Headquarters Sydneystraat 15, Rotterdam, 3047 BP, Netherlands Tel. +31 10 238 14 00 — sales.emea@boston-group.com. www.boston-group.com

ECOGUARDS

Stainless Steel Floor Mounted Corner Guards and Warehouse Racking Protectors

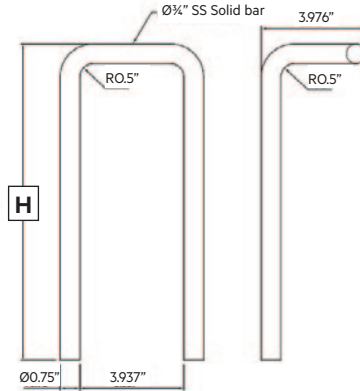


Uniguard SS Corner Guard

- #3/4"OD Stainless Steel ROD
- SS Floor Insert with Rubber insert
- One piece design
- Corrosion resistant



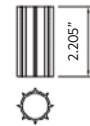
Part #	Height
BG-UNIGUARD-12	9 5/8" AFF
BG-UNIGUARD-24	24" AFF



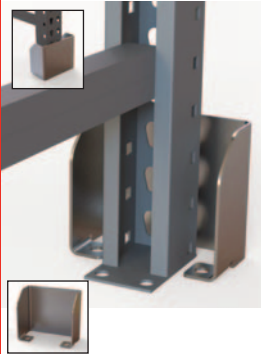
SS Insert 3/4": 2 PCS



Rubber Insert: 2 PCS



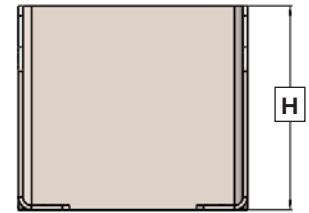
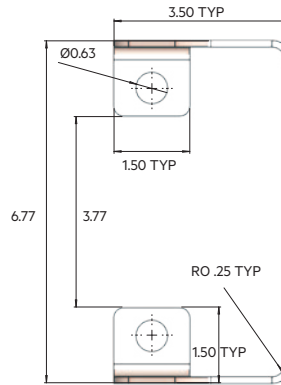
*All Uniguard stainless steel corner guards ship with (2) HSR-KIT Receptacle & Anchor**Stainless Steel/Rubber



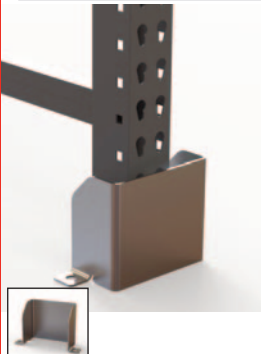
WRG-1W-6

- #10 GA Stainless Steel
- Structural flanges
- One piece design
- Corrosion resistant

Part #	Height
WRG-1W-6	6"
WRG-1W-12	12"



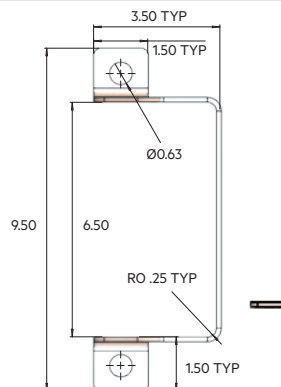
*All racking protectors ship with (2) anchor bolts #602-10-301



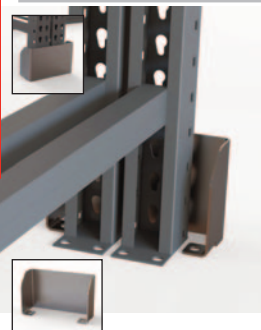
WRG-1W-OF-XX

- #10 GA Stainless Steel
- Structural flanges
- One piece design
- Corrosion resistant

Part #	Height
WRG-1W-OF-6	6"
WRG-1W-OF-12	12"



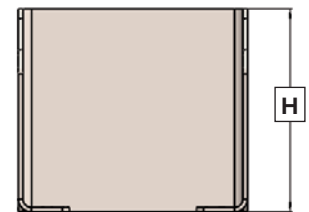
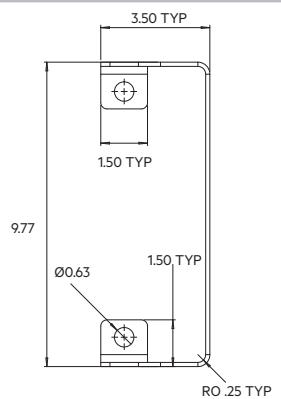
*All racking protectors ship with (2) anchor bolts #602-10-301



WRG-2W-XX

- #10 GA Stainless Steel
- Structural flanges
- One piece design
- Corrosion resistant

Part #	Height
WRG-2W-6	6"
WRG-2W-12	12"



Boston Group

*All racking protectors ship with (2) anchor bolts #602-10-301

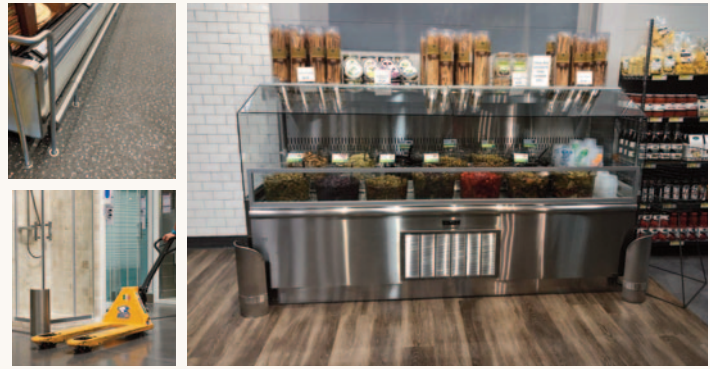
Corporate Headquarters 3 Highwood West, Suite 100, Tewksbury, MA 01876 Tel. 781-395-7417 — 800-225-1633 (toll-free) — sales.us@boston-group.com

European Headquarters Sydneystraat 15, Rotterdam, 3047 BP, Netherlands Tel. +31 10 238 14 00 — sales.emea@boston-group.com. www.boston-group.com

ECOGUARDS

Stainless Steel Floor Mounted Corner Guards and Warehouse Racking Protectors

- Manufactured of 10-gauge, heavy-duty stainless steel and CRS for durable, rust-free service.
- Half-round profile with posts and the universal mount guards remove quickly for cleaning.
- Universal mount corner guards fit most existing hole position, making it ideal for replacement applications.
- All styles withstand impact up to 4,000 pounds (rating based on impact at 3" above floor level).
- Installs easily with basic tools.
- All profiles are available in standard and custom heights.
- Materials and finishes include stainless steel, galvanized, powder coated CRS.



Stainless Steel Benefits

- Contains a minimum of 60% recycled content.
- A 100% recyclable, sustainable material.
- Contributes towards LEED points; Materials & Resources: credit 4.1 and 4.2, recycled content.
- Easy to clean, durable and corrosion resistant attributes minimize replacement and maintenance costs.



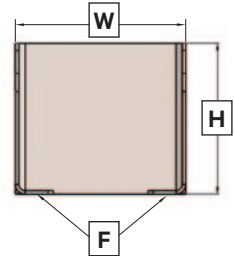
PROTECT



WRG-1W-6

- #13 GA Powder Coated Steel – Safety Yellow
- Structural flanges
- One piece design
- Corrosion resistant

Part #	H Height	W Width	F Flange Position
WRG-1W-CRS-6-923	6"	6.30"	Inside Body
WRG-1W-CRS-12-923	12"	6.30"	Inside Body
WRG-1W-CRS-OF-6-923	6"	6.30"	Outside Body
WRG-1W-CRS-OF-12-923	12"	6.30"	Outside Body
WRG-2W-CRS-6-923	6"	9.30"	Inside Body
WRG-2W-CRS-12-923	12"	9.30"	Inside Body



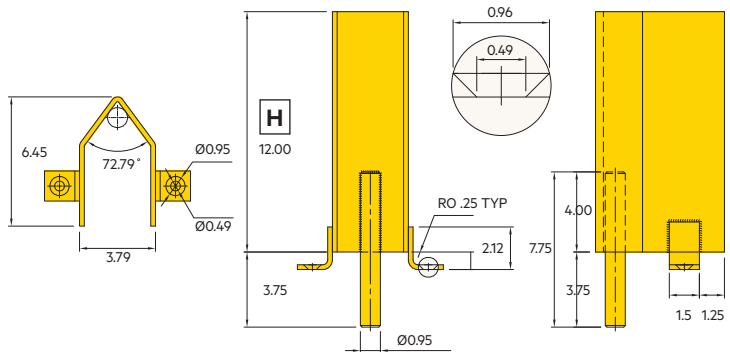
*All racking protectors ship with (2) anchor bolts #602-10-301



Pallet Rack Protector

- #10 GA Stainless Steel
- Structural flanges
- One piece design
- Corrosion resistant

Part #	Height
PRP-12	12"



*Comes with Flush Bolts: #602-9655

Boston Group



Corporate Headquarters 3 Highwood West, Suite 100, Tewksbury, MA 01876 Tel. 781-395-7417 — 800-225-1633 (toll-free) — sales.us@boston-group.com
European Headquarters Sydneystraat 15, Rotterdam, 3047 BP, Netherlands Tel. +31 10 238 14 00 — sales.emea@boston-group.com www.boston-group.com

MADE IN THE USA • V SEPT 2025