

GUIDANCE & SECURITY RAILING SYSTEM

Stainless Steel

Guidance and security railings are essential elements in ensuring safety and accessibility in retail and other environments. They help guide customers, prevent accidents, and create a secure atmosphere. They serve to clearly mark entrances, exits, and paths, and cart areas to help customers navigate the store or any environment efficiently and safely



Applying ingenuity around the world.

Boston Group provides total solutions to energize environments, protect assets and support unique shopping or working experience. We listen carefully, look beyond the challenge and come up with smart solutions, exploring new domains every day together with you. From initial concept to full product rollout we expertly guide the process to deliver the right solutions for your needs.



PROTECT



POWER



PROTECT



FIXTURE

Boston Group

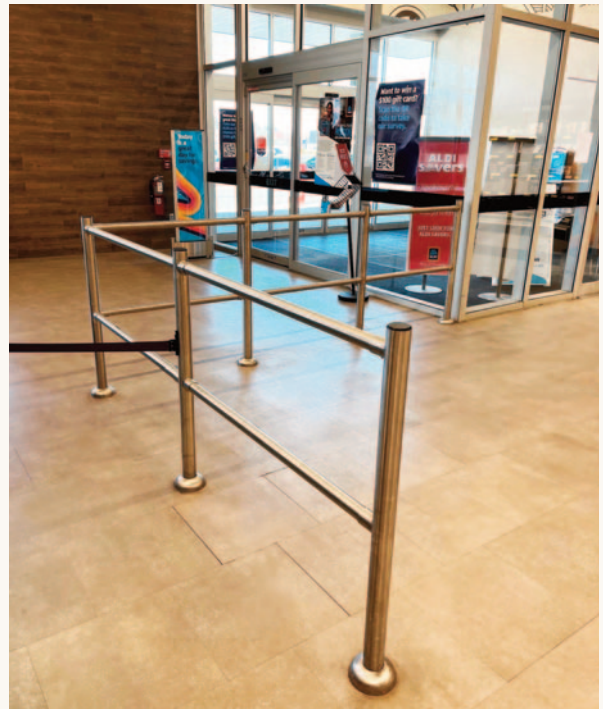
Corporate Headquarters 3 Highwood West, Suite 100, Tewksbury, MA 01876 Tel. 781-395-7417 — 800-225-1633 (toll-free) — sales.us@boston-group.com

European Headquarters Sydneystraat 15, Rotterdam, 3047 BP, Netherlands Tel. +31 10 238 14 00 — sales.emea@boston-group.com www.boston-group.com

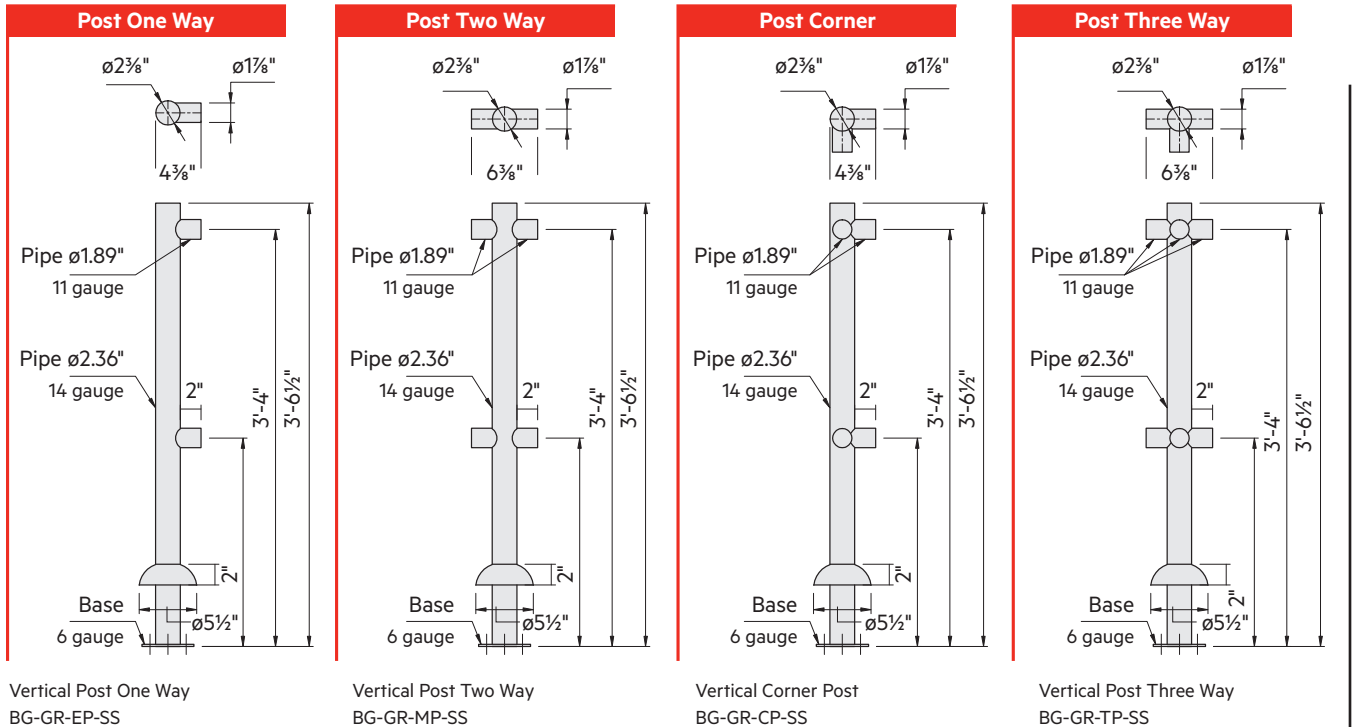
GUIDANCE & SECURITY RAILING SYSTEM

Stainless Steel

- Post tubes are 2.375" O.D. (outside diameter) X 35.0" Height
- Railing are 1.625" O.D.
- Tubing meets appropriate ASTM standard finishes
- Rails can be custom cut and configured
- 304 Stainless mounts with standard screw and anchor hardware
- Posts feature a steel base plate welded to heavy duty steel tube with a finished post cap
- Rail outlets bolt directly to the post and a 0.25" set screw securely lock the rail into position.

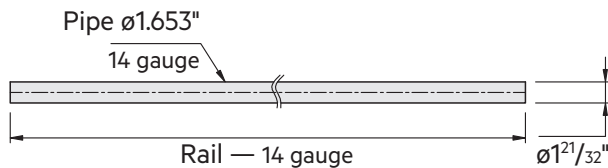


PROTECT



Rails

Rails available in 3 lengths: 47", 59", and 68" long
BG-GR-47-RAIL | BG-GR-59-RAIL | BG-GR-68-RAIL



Boston Group