

Gondola Mounted Track Arm Displayer

Allows to display light fixtures and ceiling fans easily and economically.

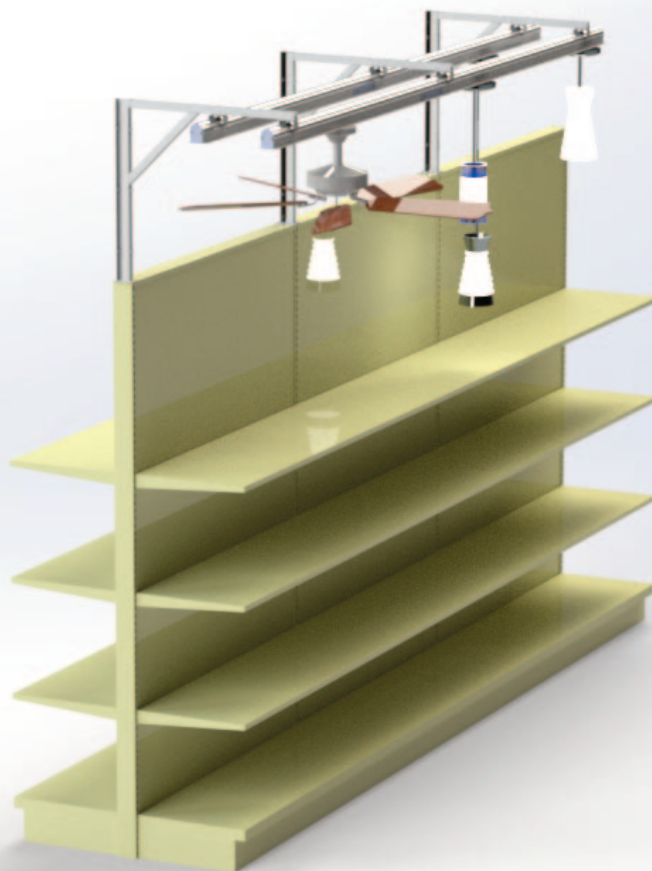


Applying ingenuity around the world.

Boston Group provides total solutions to energize environments, protect assets and support unique shopping or working experience. We listen carefully, look beyond the challenge and come up with smart solutions, exploring new domains every day together with you. From initial concept to full product rollout we expertly guide the process to deliver the right solutions for your needs.



FIXTURE



POWER



PROTECT



FIXTURE

Boston Group

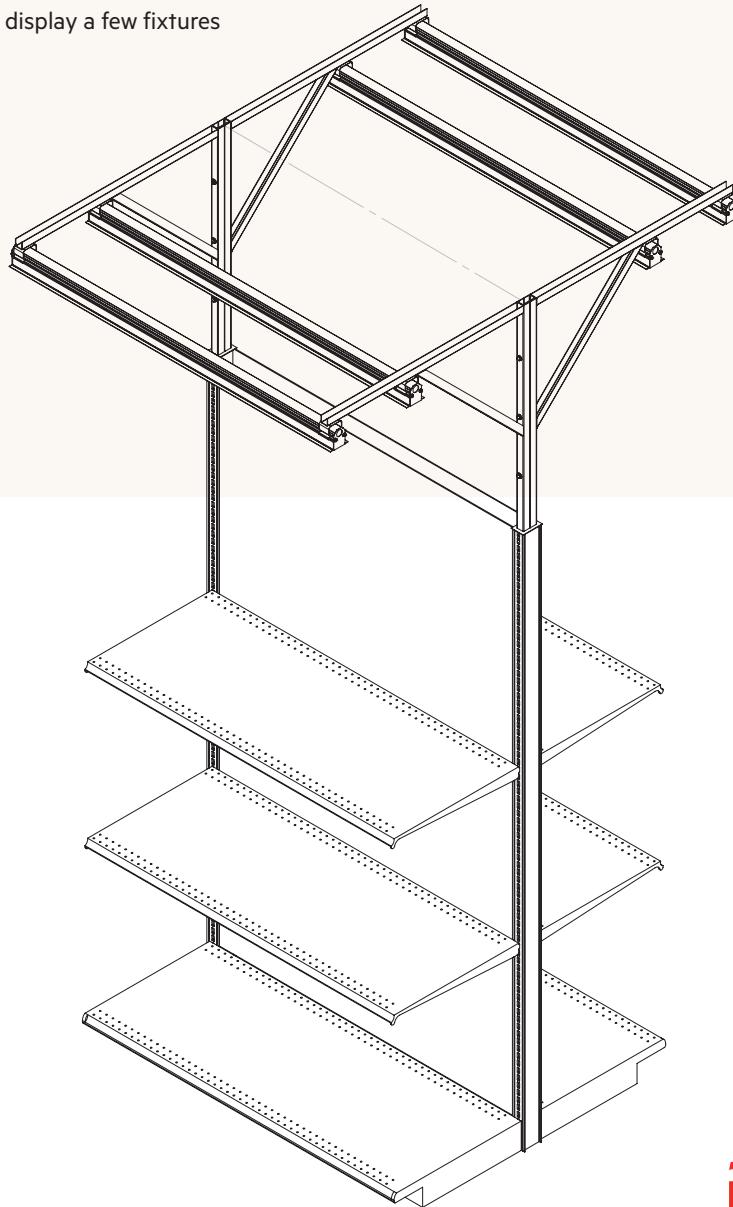
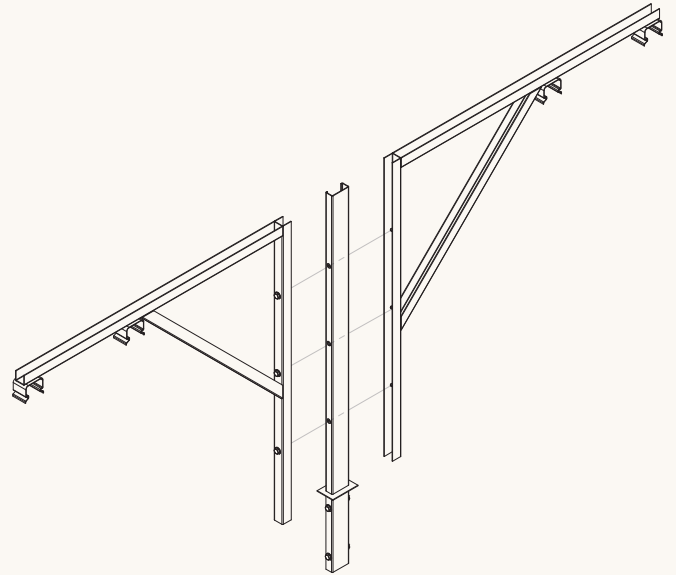
Corporate Headquarters 3 Highwood West, Suite 100, Tewksbury, MA 01876 Tel. 781-395-7417 — 800-225-1633 (toll-free) — sales.us@boston-group.com

European Headquarters Sydneystraat 15, Rotterdam, 3047 BP, Netherlands Tel. +31 10 238 14 00 — sales.emea@boston-group.com www.boston-group.com

MADE IN THE USA • V SEPT 2025

Gondola Mounted Track Arm Displayer

- Easily inserts into top of gondola uprights
- Can run as long as needed
- Made of heavy duty 13 ga cold rolled steel
- Can attach up to 2 lengths of our PowerTrack
- Ideal if you only want to display a few fixtures
- Can display on 2 sides



PROTECT



POWER



PROTECT



FIXTURE



Boston Group

Corporate Headquarters 3 Highwood West, Suite 100, Tewksbury, MA 01876 Tel. 781-395-7417 — 800-225-1633 (toll-free) — sales.us@boston-group.com

European Headquarters Sydneystraat 15, Rotterdam, 3047 BP, Netherlands Tel. +31 10 238 14 00 — sales.emea@boston-group.com. www.boston-group.com